

**Panasonic**

Panasonic

### JS1-18V-F

Nambari ya Sehemu:

JS1-18V-F

Mtengenezaji / Brand:

Panasonic

Maelezo ya bidhaa

RELAY GEN PURPOSE SPDT 10A 18V

Datasheets:

[JS1-18V-F.pdf](#)

Hali ya RoHS

Kuongoza bure / RoHS Inavyotakiwa

Hali

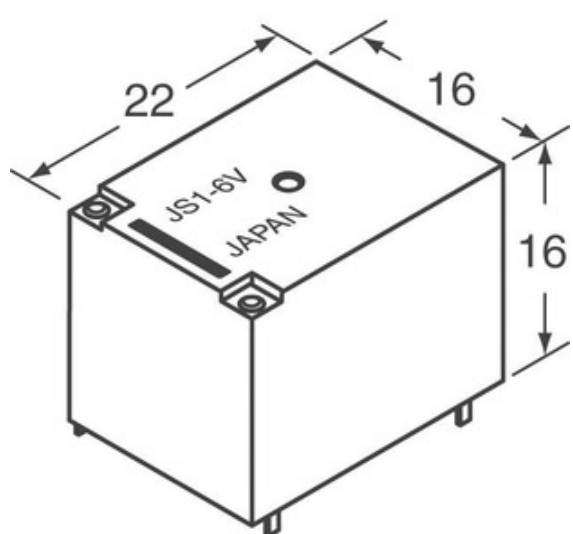
56897 pcs stock

Meli Kutoka

Hong Kong

Njia ya Uhamisho

DHL/Fedex/TNT/UPS/EMS



**OMBI LA NUKUU**

Picha inaweza kuwa uwakilishi. Angalia maelezo ya maelezo ya bidhaa.

#### Ufafanuzi wa JS1-18V-F

NAMBARI YA SEHEMU	JS1-18V-F
MTENGENEZAJI	Panasonic
MAELEZO	RELAY GEN PURPOSE SPDT 10A 18V
HALI YA BURE YA BURE / HALI YA ROHS	Kuongoza bure / RoHS Inavyotakiwa
KIASI INAPATIKANA	56897 pcs
KARATASI YA DATA	<a href="#">JS1-18V-F.pdf</a>
ZUISHA VOLTAGE (MAX)	12.6 VDC
ZIMA VOLTAGE (MIN)	1.8 VDC
SINEMA YA KUKOMESHA	PC Pin
KUBADILI VOLTAGE	250VAC, 100VDC - Max
MFULULIZO	JS
MUDA WA KUONDOLEWA	10ms
AINA YA RELAY	General Purpose
UFUNGAJI	Bulk
MAJINA MENGINE	255-6177 JS1-18V-F-ND
JOTO LA UENDESHAJI	-40°C ~ 70°C
MUDA WA UENDESHAJI	10ms
AINA YA KUINUA	Through Hole
KIWANGO CHA SENSITIVITY MOISTURE (MSL)	1 (Unlimited)
HALI YA BURE YA BURE / HALI YA ROHS	Lead free / RoHS Compliant
VIPENGELE	Sealed - Fully
MAELEZO YA KINA	General Purpose Relay SPDT (1 Form C) 18VDC Coil Through Hole
UFIKIAJI WA MAWASILIANO (SASA)	10A
NYENZO ZA MAWASILIANO	Silver Tin Oxide (AgSnO)
FOMU YA MAWASILIANO	SPDT (1 Form C)
COIL VOLTAGE	18VDC
AINA YA COIL	Non Latching
UPINZANI WA COIL	900 Ohms
NGUVU YA NGUVU	360 mW
COIL SASA	20.0mA

#### Tags kuhusiana

Panasonic JS1-18V-F	Mgawanyiko wa JS1-18V-F	Mtoa JS1-18V-F
JS1-18V-F Bei	JS1-18V-F Picha	JS1-18V-F Image
Datasheet ya JS1-18V-F PDF	JS1-18V-F Pakua Datasheet	Datasheet ya JS1-18V-F
JS1-18V-F Stock	Nunua JS1-18V-F	Nunua Panasonic JS1-18V-F
Panasonic JS1-18V-F	Mtoa Panasonic	Mgawanyiko wa Panasonic
Panasonic JS1-18V-F	Panasonic - Consumer Division JS1-18V-F	Panasonic - Consumer Electronics Corp. JS1-18V-F
Panasonic Battery Group JS1-18V-F	Panasonic Electric Works - ACSD JS1-18V-F	Panasonic Electronic Components - Semiconductor Pr JS1-18V-F
Panasonic - ATG JS1-18V-F	Panasonic - BSG JS1-18V-F	Panasonic - DTG JS1-18V-F
Panasonic Electric Works JS1-18V-F	Panasonic Electronic Components JS1-18V-F	Panasonic Industrial Automation Sales JS1-18V-F
Panasonic Semiconductor JS1-18V-F		

#### Bidhaa zinazohusiana

<p><b>JS1-12V-F</b> Wazalishaji: Panasonic Maelezo: RELAY GEN PURPOSE SPDT 10A 12V Katika hisa: 61921 pcs</p> <p><b>RFQ</b></p>	<p><b>JS1-48V-F</b> Wazalishaji: Panasonic Maelezo: RELAY GEN PURPOSE SPDT 10A 48V Katika hisa: 47836 pcs</p> <p><b>RFQ</b></p>
<p><b>JS1-18V</b> Wazalishaji: Panasonic Maelezo: RELAY GEN PURPOSE SPDT 10A 18V Katika hisa: 6209 pcs</p> <p><b>RFQ</b></p>	<p><b>JS1-48V</b> Wazalishaji: Panasonic Maelezo: RELAY GEN PURPOSE SPDT 10A 48V Katika hisa: 4401 pcs</p> <p><b>RFQ</b></p>
<p><b>JS1-24V</b> Wazalishaji: Panasonic Maelezo: RELAY GEN PURPOSE SPDT 10A 24V Katika hisa: 3819 pcs</p> <p><b>RFQ</b></p>	<p><b>JS1-12V</b> Wazalishaji: Panasonic Maelezo: RELAY GEN PURPOSE SPDT 10A 12V Katika hisa: 3578 pcs</p> <p><b>RFQ</b></p>
<p><b>JS1-24V-TV</b> Wazalishaji: Panasonic Maelezo: RELAY GEN PURPOSE SPDT 10A 24V Katika hisa: 4011 pcs</p> <p><b>RFQ</b></p>	<p><b>JS1-3V</b> Wazalishaji: Panasonic Maelezo: RELAY GEN PURPOSE SPDT 10A 3V Katika hisa: 5928 pcs</p> <p><b>RFQ</b></p>
<p><b>JS1-12V-TV</b> Wazalishaji: Panasonic Maelezo: RELAY GEN PURPOSE SPDT 10A 12V Katika hisa: 3328 pcs</p> <p><b>RFQ</b></p>	<p><b>JS1-15V</b> Wazalishaji: Panasonic Maelezo: RELAY GEN PURPOSE SPDT 10A 15V Katika hisa: 5990 pcs</p> <p><b>RFQ</b></p>
<p><b>JS1-24V-F</b> Wazalishaji: Panasonic Maelezo: RELAY GEN PURPOSE SPDT 10A 24V Katika hisa: 52448 pcs</p> <p><b>RFQ</b></p>	<p><b>JS1-24V-FT</b> Wazalishaji: Panasonic Maelezo: JS RELAY 1 FORM C 24V Katika hisa: 41464 pcs</p> <p><b>RFQ</b></p>

Copyright © 2020 Wasambazaji wa Usambazaji wa Vipengele vya Electronic.

E-mail: [Info@infinity-electronic.com](mailto:Info@infinity-electronic.com)

Anwani: 17F, Gaylord Commercial Building, 114-118 Lockhart Road, Wan Chai, Hong Kong

