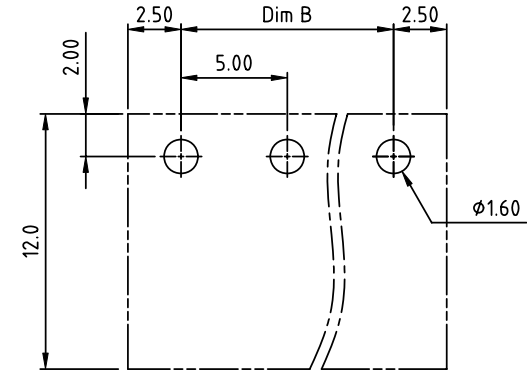
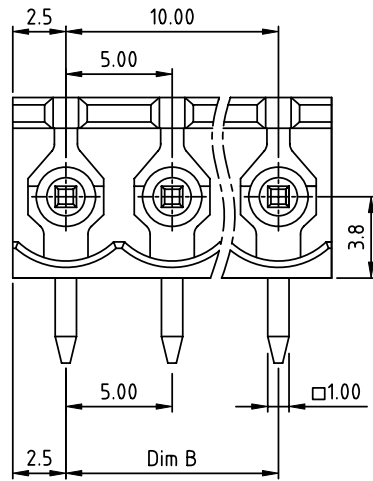
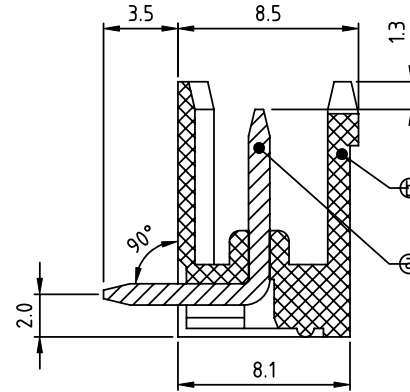
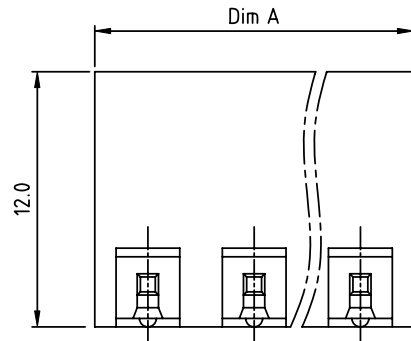


PRODUCT NUMBER	PITCH
OQxx70x100J0G	5.00 mm



RECOMMENDED P.C.B LAYOUT  
TOP VIEW



Material:

- Item ① Male contact pin: Copper Tin plated
- Item ② Terminal housing: Thermoplastic (UL94V-0)

- Electrical: cULus /VDE /TUV
- Voltage rating: 300V/300V/300V
  - Current rating: 20A/20A/20A
  - Withstanding Voltage: 1.6 KV/2.5KV/2.5KV
  - Operating temperature: -40°C to +115°C
  - Soldering temperature: 260°C±5°C/5 Sec
  - Safety Approval:

DIMENSION

Dim A	Nx5.0
Dim B&C	(N-1)x5.0

N = Number of poles

Poles	Tolerance
2-6p	±0.15
7-12p	±0.20
13-18p	±0.30
19-24p	±0.40

PART NO.: OQ xx 7 0 x 1 00J0 G

- No. of poles: 02 2 poles, 03 3 poles, ... 24 24 poles
- Body Color: 0 Black (RAL9005), 2 Red (RAL3001/D), 3 Orange(RAL2011/P), 4 Yellow(RAL1018/A), 5 Green(RAL6018/T), 6 Blue (RAL5015/A), 8 Grey(RAL7035/D), 9 White(RAL1102), C Green(RAL6018/U)
- RoHS compliant (lead<4%) In copper Alloy

mat'l. code		surface ASME Y14.5 ✓	tolerance ASME Y14.5	projection 	product family TERMINAL BLOCK	
ltr	ecn no	dr	date	tolerances unless otherwise specified	title TERMINAL BLOCK	
				angles X.±0.5	scale PLUGGABLE SOCKET, OPEN TYPE, RIGHT ANGLE	
				parallel X.X±0.3	dwg no OQxx70x100J0G	
				perpendicular X.XX±0.1	sheet 1 of 1 size A4	
		dr	HANKE FENG	032814	FCI logo	
		engr	HANKE FENG	032814		
		chr	SHI JUN	032814		
		appd	SHI JUN	032814		
sheet index	revision	A				type CUSTOMER Drawing