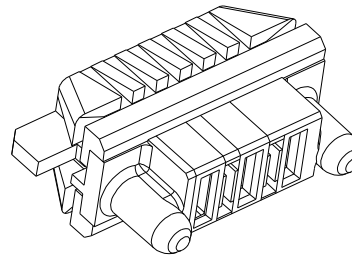
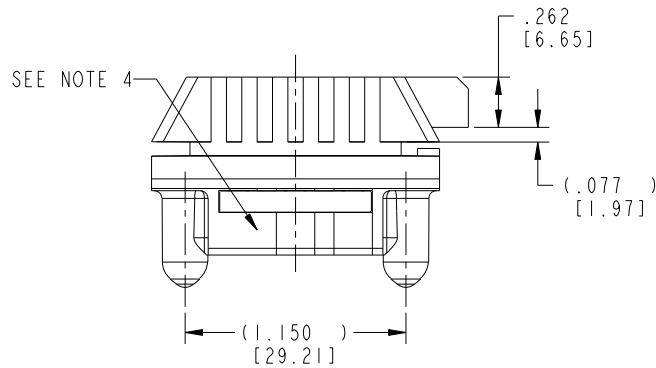


Tous droits strictement réservés. Reproduction ou communication a des tiers interdite sous quelque forme que ce soit sans autorisation écrite du propriétaire. Propriété de c FCI. Droits de reproduction FCI.

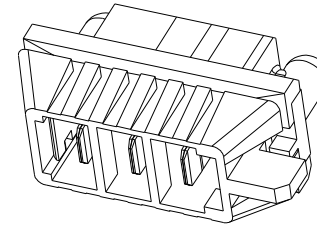
All rights strictly reserved. Reproduction or issue to third parties in any form whatever is not permitted without written authority from the proprietor. Property of FCI. Copyright FCI.



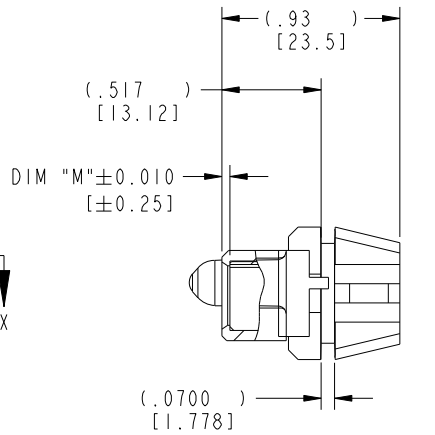
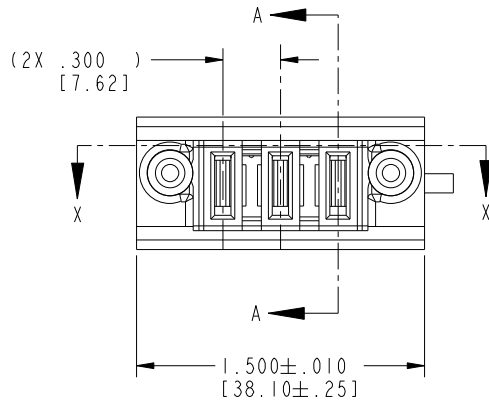
| | | | | | |
|------------------------|-------|----|----|----|----|
| PRODUCT NO. | POWER | | | | |
| | E2 | P3 | P2 | P1 | E1 |
| 51908-006-- NOTE: 3 | | PH | PH | PG | |



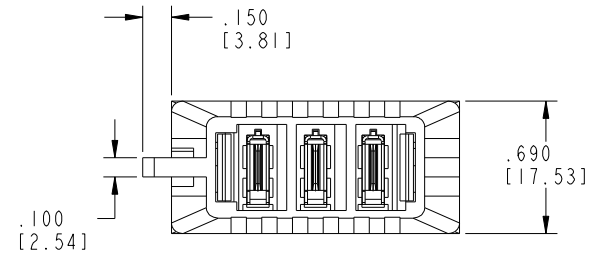
SCALE 1:1



SCALE 1:1



PARTIAL SECTION A-A



| CODE | DIM "M" ± 0.010 [0.25] | CONTACT TYPE |
|------|---------------------------|-----------------|
| PG | 0.042 [1.07] | POWER |
| PH | 0.092 [2.34] | POWER |

| | | | | | | | | |
|-------------|----------------|-------|----------|------------|---------------------------------------|---------|---|--|
| mat'l code | | | | SEE NOTE 2 | tolerances unless otherwise specified | | CUSTOMER | |
| lir | ecn no. | dr | date | linear | .XX ± .01/0.X ± 0.3 | COPY | www.fciconnect.com | |
| A | DG06-0031 | SW | 01/26/06 | projection | .XXX ± .005/0.XX ± 0.13 | | title | |
| B | DG06-0399 | JULIA | 10/05/06 | angles | .XXX ± .0020/0.XXX ± 0.051 | | 3P FLOATING CABLE RECEPTACLE KIT ASSEMBLY | |
| | | | | dr | STEVEN WANG 01/26/06 | INCH/MM | product family | |
| | | | | enr | STEVEN WANG 01/26/06 | scale | PWRBLADE | |
| | | | | chr | BEER FU 01/26/06 | 1:1 | code | |
| | | | | oppd | JOSEPH HSIA 01/26/06 | | 213 | |
| sheet index | revision sheet | B 1 | B 2 | B 3 | | | size | |
| | | | | | | | dwg no | |
| | | | | | | | A 51908-006 | |
| | | | | | | | sheet | |
| | | | | | | | 1 of 3 | |

Pro/E

PDM: Rev: B

STATUS: Released

Printed: Dec 20, 2010

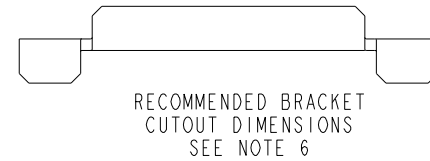
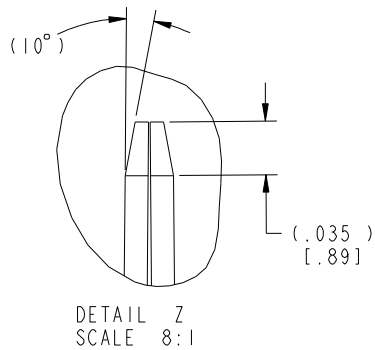
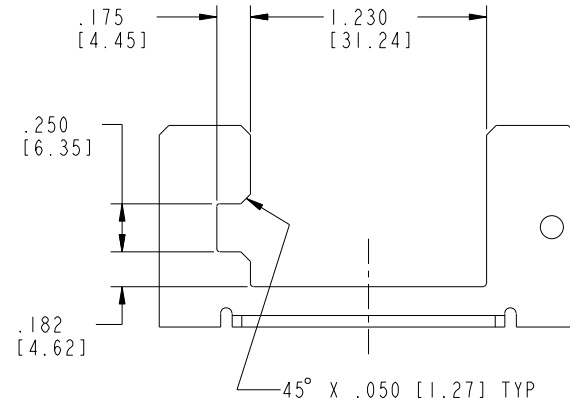
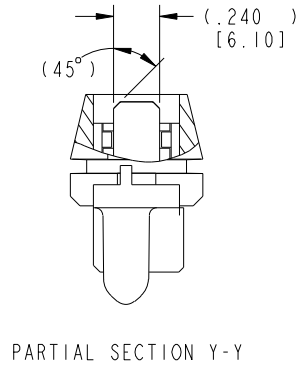
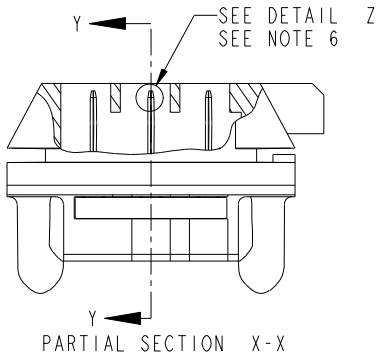
Tous droits strictement réservés. Reproduction ou communication a des tiers interdite sous quelque forme que ce soit sans autorisation écrite du propriétaire. Propriété de c FCI. Droits de reproduction FCI.

All rights strictly reserved. Reproduction or issue to third parties in any form whatever is not permitted without written authority from the proprietor. Property of FCI. Copyright FCI.



PRODUCT NUMBER

51908-006--
NOTE: 3



| | | | | | | | |
|-------------|----------------|---------------------------------------|------|------------|------------------------|------------------------|--|
| mat'l code | | tolerances unless otherwise specified | | CUSTOMER | | www.fciconnect.com | |
| lfr | ecn no. | dr | date | linear | .XX±.01/0.X±0.3 | COPY | |
| B | | | | projection | .XXX±.005/0.XX±0.13 | | |
| | | | | angles | .XXX±.0020/0.XXX±0.051 | | |
| | | | | dr | 0°±2° | | |
| | | | | enr | STEVEN WANG 01/26/06 | | |
| | | | | chr | STEVEN WANG 01/26/06 | | |
| | | | | appd | BEER FU 01/26/06 | | |
| | | | | | JOSEPH HSIA 01/26/06 | | |
| sheet index | revision sheet | | | scale | INCH/MM | | |
| | | | | 1:1 | A | | |
| | | | | | product family | | |
| | | | | | PWRBLADE | | |
| | | | | | size | | |
| | | | | | dwg no | | |
| | | | | | A | | |
| | | | | | 51908-006 | | |
| | | | | | code | | |
| | | | | | 213 | | |
| | | | | | sheet | | |
| | | | | | 2 of 3 | | |

Pro/E

PDM: Rev: B

STATUS: Released

Printed: Dec 20, 2010



| |
|----------------|
| PRODUCT NUMBER |
| 51908-006__ |
| NOTE: 3 |

NOTES:

- DIMENSIONS AND TOLERANCES ARE IN ACCORDANCE WITH ASME Y14.5M, 1994, UNLESS OTHERWISE SPECIFIED.
- MATERIAL:
HOUSING: UL 94 V-0 GLASS-FILLED HIGH TEMP THERMOPLASTIC.
POWER CONTACT: COPPER ALLOY
- PLATING:
51908-006 30u"/0.76um Au OVER 50u"/1.27um Ni ON THE CONTACT AREA,
AND 78u"/1.98um SnPb PLATING OVER 50u"/1.27um Ni ON REAR CONTACT TABS

51908-006LF Power Pin: 30u"/0.76um Au OVER 50u"/1.27um Ni ON THE CONTACT AREA,
AND 78u"/1.98um Sn PLATING OVER 50u"/1.27um Ni ON REAR CONTACT TABS.

PART NUMBER 51908-006LF MEETS EUROPEAN UNION DIRECTIVE AND OTHER COUNTRY REGULATIONS AS DESCRIBED IN GS-22-008.

THE HOUSING WILL WITHSTAND EXPOSURE TO 260° PEAK TEMPERATURE FOR 10 SECONDS IN A WAVE SOLDER APPLICATION WITH A CIRCUIT BOARD.

- MANUFACTURER NAME, P/N, AND DATE CODE TO APPEAR ON THIS SURFACE.
- PERFORMANCE:
PRODUCT SPECIFICATION: GS-12-149, CONNECTOR MATING INTERFACE. CURRENT CARRYING CAPACITY VERIFIED TO 25A MAX, ALL CONTACTS POWERED, 30° MAX T-RISE, GENERIC CABLE AND QUICK DISCONNECT TERMINAL.
- APPLICATION:
CONNECTOR TO BE BULKHEAD MOUNTED. SEE RECOMMENDED BRACKET CUTOUT DIMENSIONS.

REAR TAB CONTACTS TERMINATE TO 14AWG WIRES WITH INDUSTRY STANDARD FEMALE .250 INCH QUICK-DISCONNECT TERMINALS CAPABLE OF MATING TO A STANDARD .032 INCH THICK X .250 INCH WIDE MALE TAB TERMINAL.

FOR MATING DIMENSIONS, SEE APPLICATION SPECIFICATION BUS-20-067.

| | | | | | | | | | |
|-------------|----------------|----------|------|---------------------------------------|-----------------------|-----------|--|---|--|
| mat'l code | | SEE NOTE | | tolerances unless otherwise specified | | CUSTOMER | | www.fciconnect.com | |
| lfr | ecn no. | dr | date | linear | .XX±.01/0.X±0.3 | COPY | | title | |
| B | | | | projection | .XXX±.005/0.XX±0.13 | | | 3P FLOATING CABLE RECEPTACLE KIT ASSEMBLY | |
| | | | | angles | .XXX±.002/0.XXX±0.051 | | | product family | |
| | | | | dr | 0°±2° | scale | | PWRBLADE | |
| | | | | enrg | STEVEN WANG 01/26/06 | 1:1 | | code | |
| | | | | chr | BEER FU 01/26/06 | A | | 213 | |
| | | | | appd | JOSEPH HSIA 01/26/06 | 51908-006 | | sheet | |
| sheet index | revision sheet | | | | | | | 3 of 3 | |