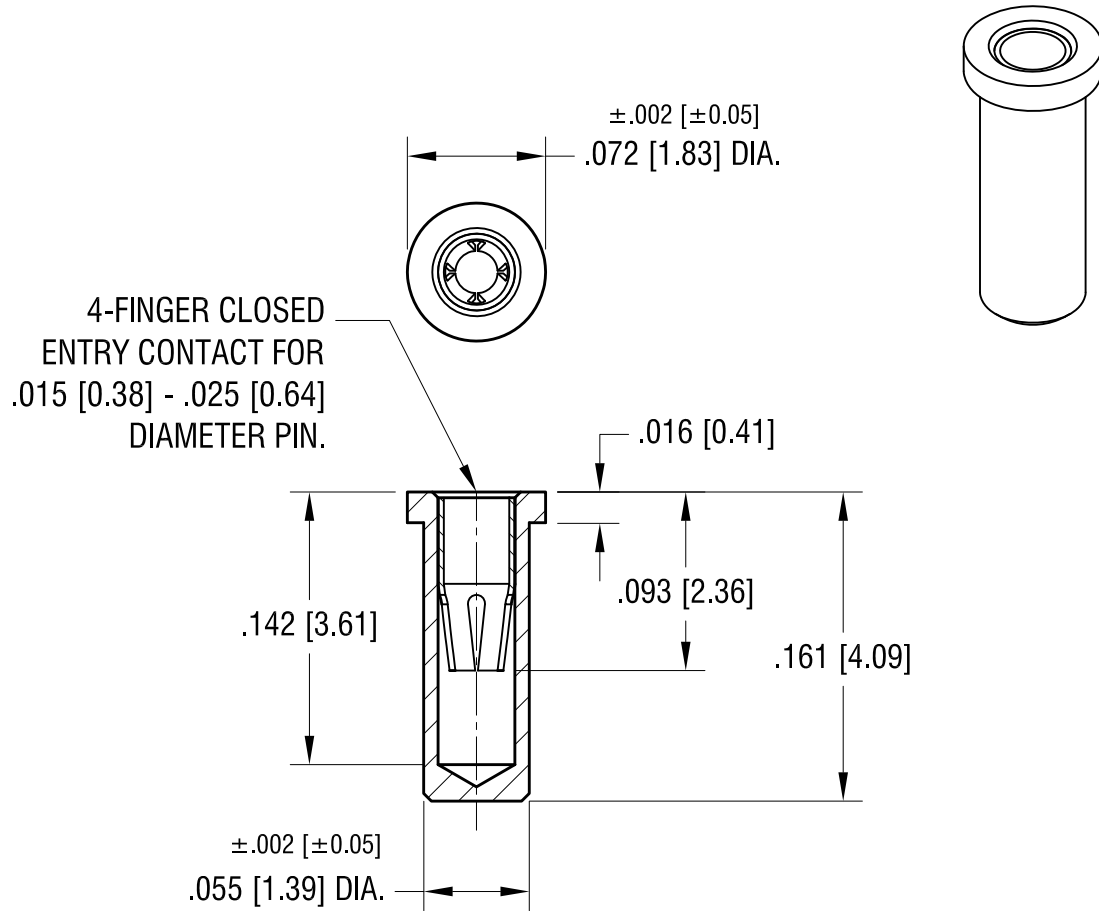


THIS DOCUMENT IS THE PROPERTY OF  
KEYSTONE ELECTRONICS CORP. AND  
SHALL NOT BE REPRODUCED, DISTRIBUTED  
OR USED AS A BASIS FOR MANUFACTURE  
WITHOUT PRIOR WRITTEN PERMISSION  
FROM KEYSTONE ELECTRONICS CORP.



NOTES:

1. BODY: MAT'L - BRASS  
SPRING CONTACT: MAT'L - BERYLLIUM COPPER
2. MOUNTING HOLE DIA.:  $.057$  [ $1.45$ ]

<b>KEYSTONE ELECTRONICS CORP.</b>			
www.keyelco.com • ASTORIA, N.Y. 11105-2017 • Tel (718) 956-8900			
PART NAME			
MICRO JACK, SOLDER MOUNT			
MATERIAL			
AS NOTED			
FINISH		DRN BY	DATE
TIN/LEAD PLATE		BOONE	2.15.07
		APP'D	SCALE
		LN	6X
TOLERANCES		CODE	
INCH	[MM]	DWG NO.	
DECIMAL	$\pm .005$ [ $\pm 0.13$ ]	<b>1433</b>	
ANGULAR	$\pm 1^\circ$		
UNLESS OTHERWISE SPECIFIED		C/M	

12.30.10	CHANGE AS PER ECN 10-093	A
DATE	DESCRIPTION	REV.